

# IP66 OUTDOOR

Technical data pages by Formrack

Outdoor 19" Field Type Cabinet  
Cabinet Reference Rack:20U 600x450

**FORMRACK®**

## General Features

- Openable and lockable front cover.
- Full protection against dust and water ingress with IP66 structure.
- Openable top structure that provides external access to the fan module.
- Standart 100 mm plinth.
- Cable entry slots are located at the bottom part.
- Air inlet louvers with dust filter.
- Air vent part with dust filtered fan.
- Ventilation can be provided by cooling units with 1 or 2 fans.
- 20U height option.
- Mounting profiles have U markings that facilitate the mounting process.
- It can be mounted to the ground.
- Higly effective zirconium + zinc coating against corrosion.
- Painted by impact-resistant,high strength, electrostatic Ral 7035 gray.
- All test procedures have been carried out and has RoHS, CE, EN 61587-1 standards.



## Technical Descriptions

|                        |   |
|------------------------|---|
| Dimensions W*D         | : W:600 mm D:450 mm   |
| Available U - Sizes    | : 20U   |
| Paint Type             | : Electrostatic powder paint  |
| Standarts              | : In accordance with the standard TS EN IEC 61587-1: 2022 / ISO9001-2015 / ISO14001-2015 / ISO 45001-2018 / ISO 27001:2017 / RoHS / UL 2416 |
| Material               | : Sheet Steel, DIN EN 1030-99 / DC-01 6112 / DC-7122  |
| Load Carrying Capacity | : 600kg / 1 322.77lbs   |
| IP rating              | : IP66  |
| Available Colors       | : Ral 7035 Light Gray   |

IP66 OUTDOOR

### FORMRACK

Address: Akcaburgaz Mah. 592. Sokak No:10 B Blok 34522 Esenyurt - Istanbul - Türkiye  
T: +90 212 565 56 50 / F: +90 212 567 40 46 www.formrack.com / sales@formrack.com

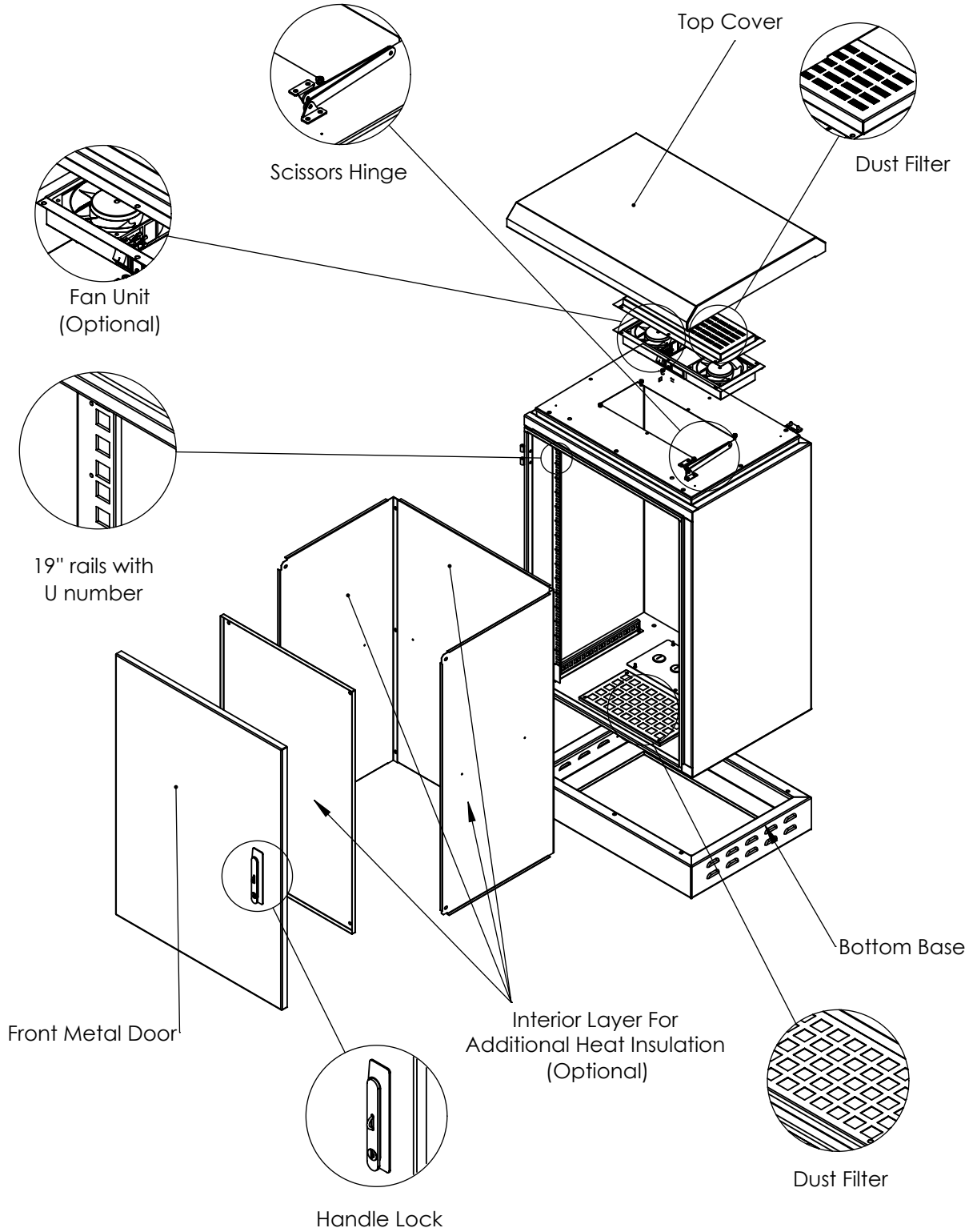
# IP66 OUTDOOR

Technical data pages by Formrack

Outdoor 19" Field Type Cabinet  
Cabinet Reference Rack:20U 600x450

**FORMRACK®**

## Exploded View



IP66 OUTDOOR

**FORMRACK**

Address: Akcaburgaz Mah. 592. Sokak No:10 B Blok 34522 Esenyurt - Istanbul - Türkiye  
T: +90 212 565 56 50 / F: +90 212 567 40 46 [www.formrack.com](http://www.formrack.com) / [sales@formrack.com](mailto:sales@formrack.com)

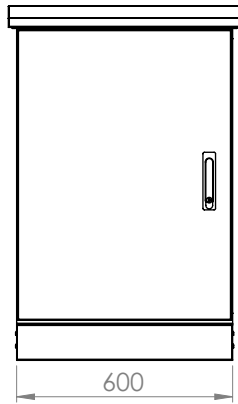
# IP66 OUTDOOR

Technical data pages by Formrack

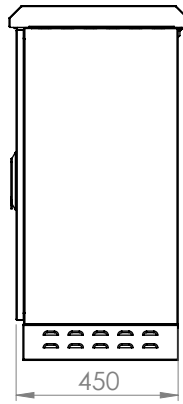
Outdoor 19" Field Type Cabinet  
Cabinet Reference Rack:20U 600x450

**FORMRACK**

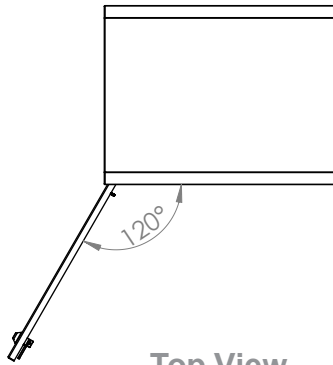
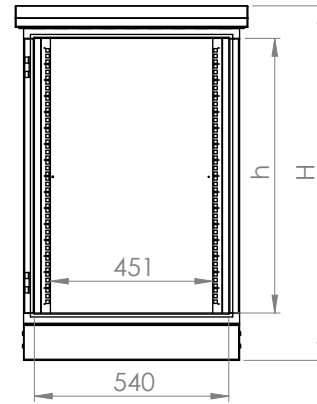
Front View



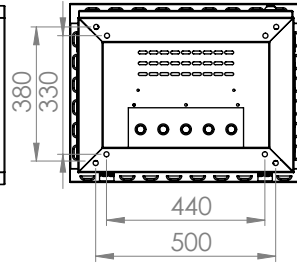
Side View



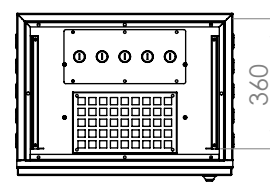
Front Detail View



Top View



Bottom View



Top Detail View

## SINGLE LAYER

| Product Number   | Product Name                            | Dimensions (WxDxH) (mm) | U  | H (mm) | h (mm) | Weight (kg) |
|------------------|---|-------------------------|----|--------|--------|-------------|
| FORM OUT-20U450Z | 20U 450 IP66 OUTDOOR FIELD TYPE CABINET | 600x450x1163            | 20 | 1163   | 939    | 40          |

## DOUBLE LAYER

| Product Number    | Product Name                            | Dimensions (WxDxH) (mm) | U  | H (mm) | h (mm) | Weight (kg) |
|-------------------|---|-------------------------|----|--------|--------|-------------|
| FORM OUT-20U450ZW | 20U 450 IP66 OUTDOOR FIELD TYPE CABINET | 600x450x1163            | 20 | 1163   | 939    | 53          |

IP66 OUTDOOR

**FORMRACK**

Address: Akcaburgaz Mah. 592. Sokak No:10 B Blok 34522 Esenyurt - Istanbul - Türkiye  
T: +90 212 565 56 50 / F: +90 212 567 40 46 [www.formrack.com](http://www.formrack.com) / [sales@formrack.com](mailto:sales@formrack.com)